

Keep For Your Records

Name of dealer where purchased:

Dealer's phone number where purchased:

Serial number (if applicable):

Please keep this information for your records.
This will help if you should need parts or
a replacement.



(P250 with free standing base)

Trapeze Bars
P250 / P200T

Contents

Forward	1
Assembly Diagram, P250	2
Assembly Diagram P200T	3
Assembly, P250	4 - 7
Assembly, P200T	8 - 11
Maintenance	11
Safety And Precautions	12
Warranty	13

Limited Warranty

The warranty below has been drafted to comply with Federal Law applicable to products manufactured after July 4, 1975. This warranty is extended only to the original purchaser/consumer (or dealer non-consumer who does not buy for resale).

Tuffcare® warrants that its proprietary Trapeze P250 will be free from defective workmanship and materials for a period of two (2) years following the date of original manufacture with the following exceptions: All welds are warranted for the life of the trapeze. The warranty period commences on the original manufacture date. If within such warranty period any such product proven to Tuffcare® satisfaction to be defective, such product will be repaired or replaced at Tuffcare® option.

Tuffcare® sole obligation and your exclusive remedy under this warranty shall be limited to such repair and/or replacement. This warranty does not include any labor charges incurred in replacement parts installation. Freight charges to the factory are at the expense of the consumer or seller. Return freight charges will be prepaid by Tuffcare®. For warranty service, please contact the authorized dealer from whom you purchased your Tuffcare® products. In the event that you do not receive satisfactory warranty service, please write directly to Tuffcare®. DO NOT RETURN PRODUCTS WITHOUT PRIOR AUTHORIZATION.

LIMITATIONS AND EXCLUSIONS: The foregoing warranty shall not apply to products subjected to negligence, abuse, misuse, improper operation, improper maintenance, improper storage or damages beyond Tuffcare® control. The evaluation will be solely determined by Tuffcare®. The warranty shall not apply to problems arising from normal wear, or failure to follow instructions, or if parts are not manufactured by Tuffcare®, or not comply with original equipment specifications that are added to Tuffcare® product. THE FOREGOING WARRANTY IS EXCLUSIVE AND IN LIEU OF ALL OTHER WARRANTIES, INCLUDING BUT NOT LIMITED TO THE IMPLIED WARRANTIES OF MERCHANTABILITY AND FITNESS FOR A PARTICULAR PURPOSE AND SHALL NOT EXTEND BEYOND THE DURATION OF THE EXPRESS WARRANTY PROVIDED HEREIN. TUFFCARE® SHALL NOT BE LIABLE FOR ANY CONSEQUENTIAL OR INCIDENTAL DAMAGES WHATSOEVER.

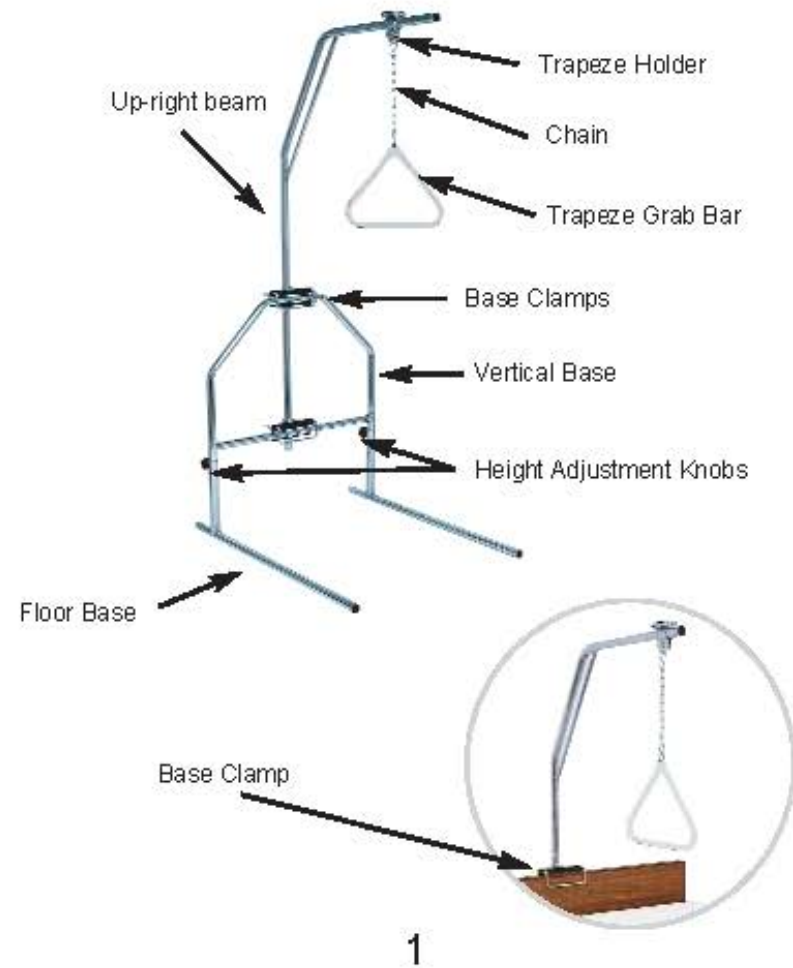
This warranty gives you specific rights and you may also have other legal rights which vary from state to state. Some states do not allow the exclusion or limitations of incidental or consequential damage, or limitation on how long an implied warranty lasts, therefore, the above exclusion and limitation may not apply to you.

Safety And Precautions

- X_{ca} **CAUTION:** Do not use P250 / P200T until you have read and fully understand this manual.
- X_{ca} **CAUTION:** Do not operate the P250 / P200T until it is fully assembled and checked.
- X_{ca} **CAUTION:** Do not move while patient is lifted.
- X_{ca} **CAUTION:** Make sure all knobs are tightened securely before lifting.
- X_{ca} **CAUTION:** More than one person will need to help when lifting a patient with lifter.
- X_{ca} **CAUTION:** Attach P200T to a strong solid bed only.
- X_{ca} **WARNING:** Check knobs daily to make sure they are tight.

Forward

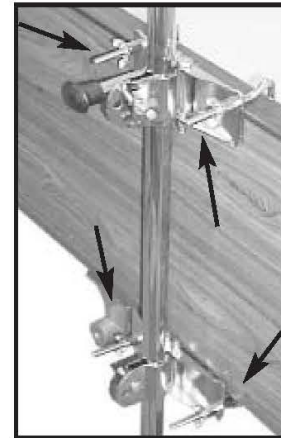
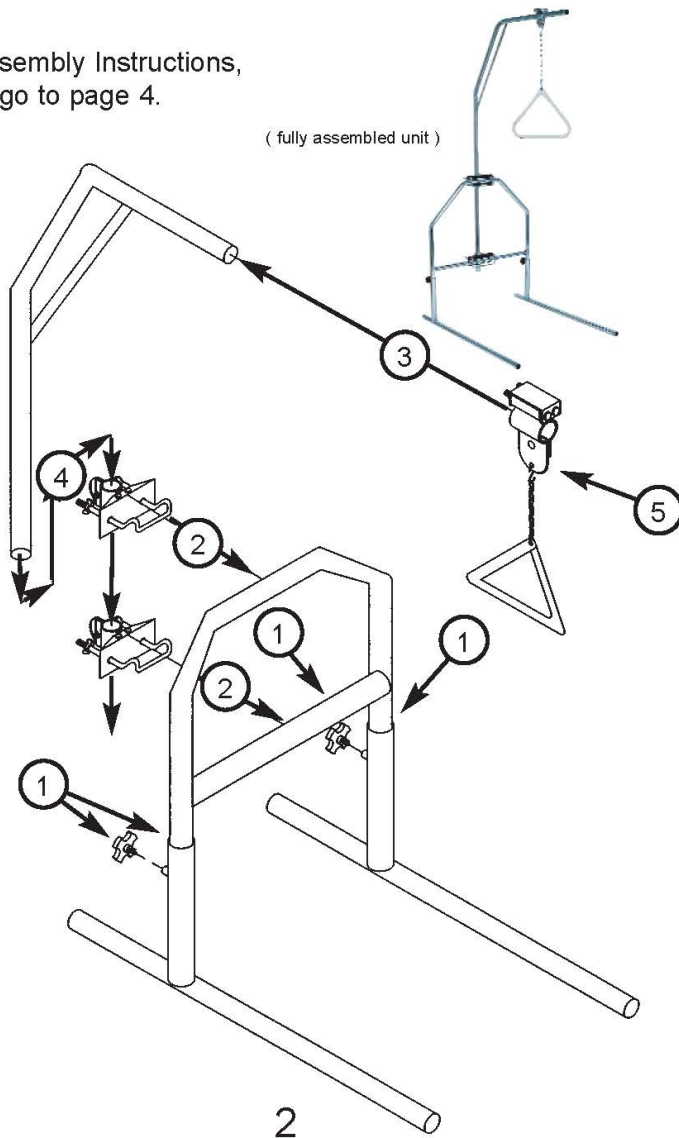
Congratulations on your purchase of the Tuffcare trapeze P250, or P200T. Our trapeze is engineered and designed with durability and easy maintenance in mind. Read through this manual and get acquainted with your trapeze. Follow the maintenance schedule to ensure proper function of your trapeze.



Assembly Diagram, P250

Assembly, P200T

For Assembly Instructions,
go to page 4.



6. Check and tighten all bolts and clamps.

Maintenance

Your P200T or P250 should provide years of reliable use. To ensure trouble free operation, follow the following maintenance schedule:

- ✓ Polish Chrome once a month.
- ✓ Check screws regularly to see that they are tight and have not gotten loose.

Assembly, P200T

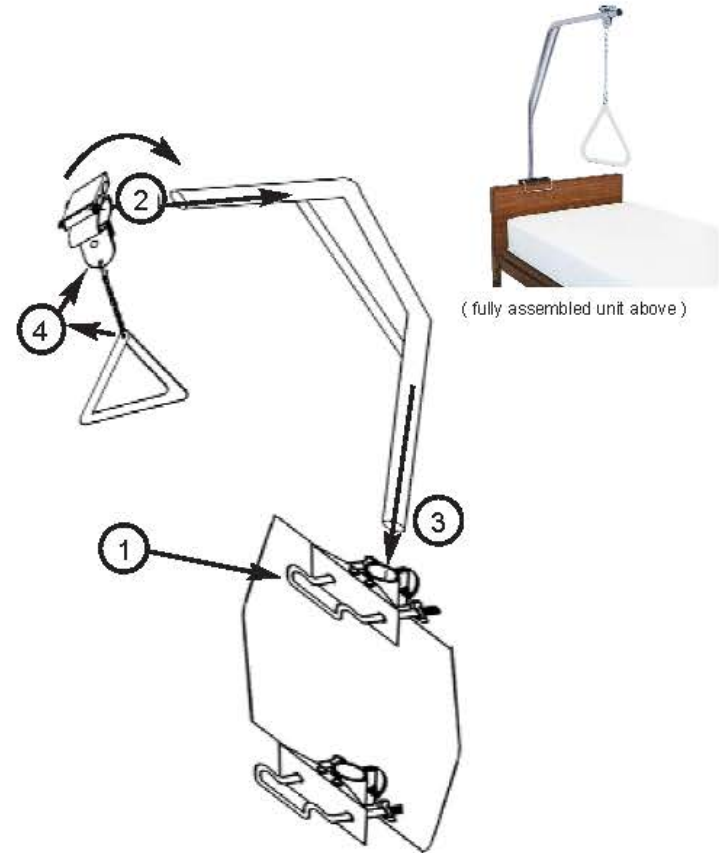


4. Replace and tighten bolts into the trapeze holder.



5. Hook the trapeze bar into the trapeze holder.

Assembly Diagram, P200T



For Assembly Instructions,
go to page 8.

Assembly, P250

Remove items from box.

Check to see that all pieces are enclosed for P250:

2 Floor Bases

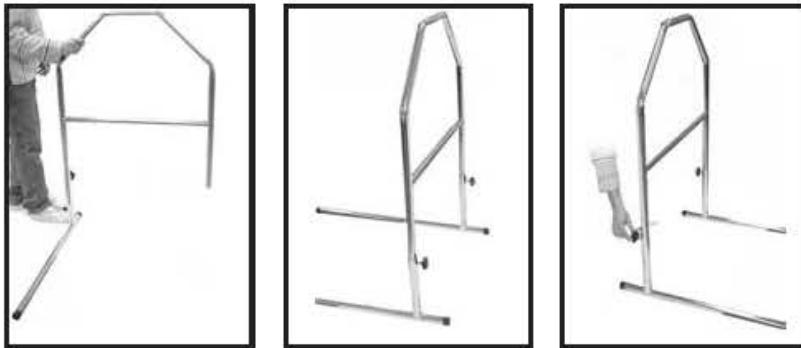
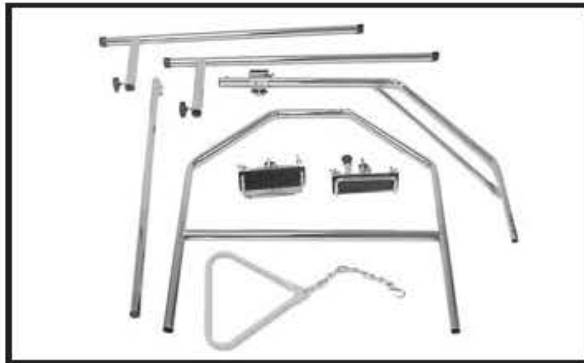
2 Clamps

1 Trapeze Arm Bar

1 Vertical Base

1 Upright Post

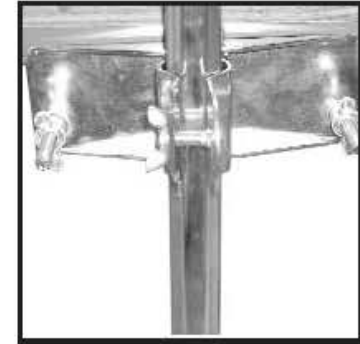
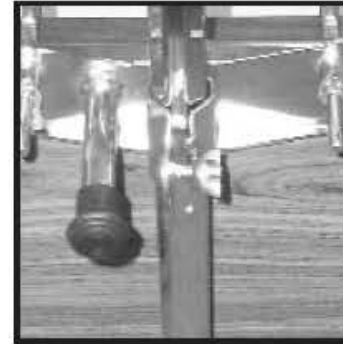
1 Trapeze Grab Bar



1. Install the vertical base onto the floor base, (both sides).
Use the knobs to tighten.

4

Assembly, P200T



2. Slide the upright post into the top base clamp. The bolts should be parallel to the upright post clamp. Place the bottom clamp on the upright post and slide it up to the bottom of the headboard and tighten.



3. Remove the bolts from the upright post. Insert the trapeze arm bar into the upright post.

9

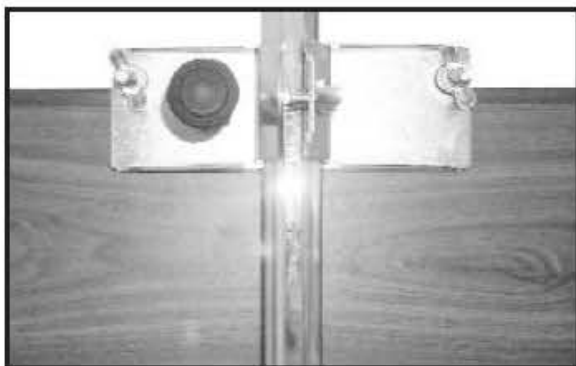
Assembly, P200T



Check to see that all pieces are enclosed for P200T:

- 1 Upright Post
- 2 Clamps
- 1 Trapeze Arm Bar
- 1 Trapeze Grab Bar

The Tuffcare P200T fits most standard homecare beds.

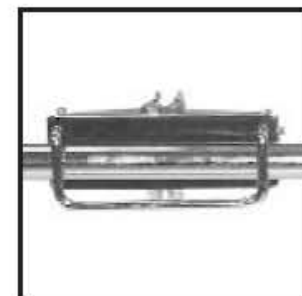


1. Place the base clamp with the extra post and rubber end cap over the top of the headboard. (Clamps facing out.)

Assembly, P250

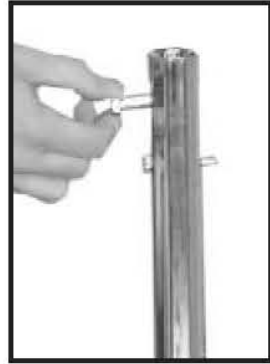


2. Install the top base clamp, (the one with the extra bar and rubber end cap). The clamp should be facing down.

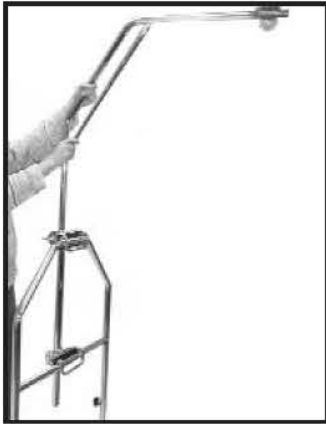


3. Slide the upright post down. The top clamp bolts must be horizontal when facing the P250.

Assembly, P250



4. Then install the remaining base clamp. The clamp should be faced down. Then tighten. Remove the two bolts from the top of the upright beam.



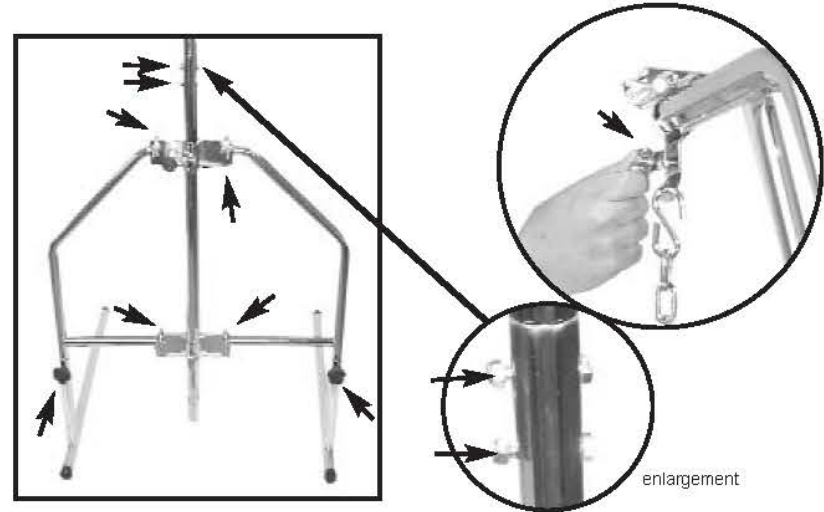
5. Insert the trapeze arm bar to the vertical upright post and reinsert the bolt and nut and tighten.

6

Assembly, P250



6. Attach the trapeze grab bar to the trapeze holder.



7. Confirm height and holder settings, and that they are appropriate. Then tighten them. Check all bolts to make sure that they are all tightened. Bolt check points are shown above.

7