



INVACARE®
STANDARD MANUAL WHEELCHAIRS



Yes, you can.®

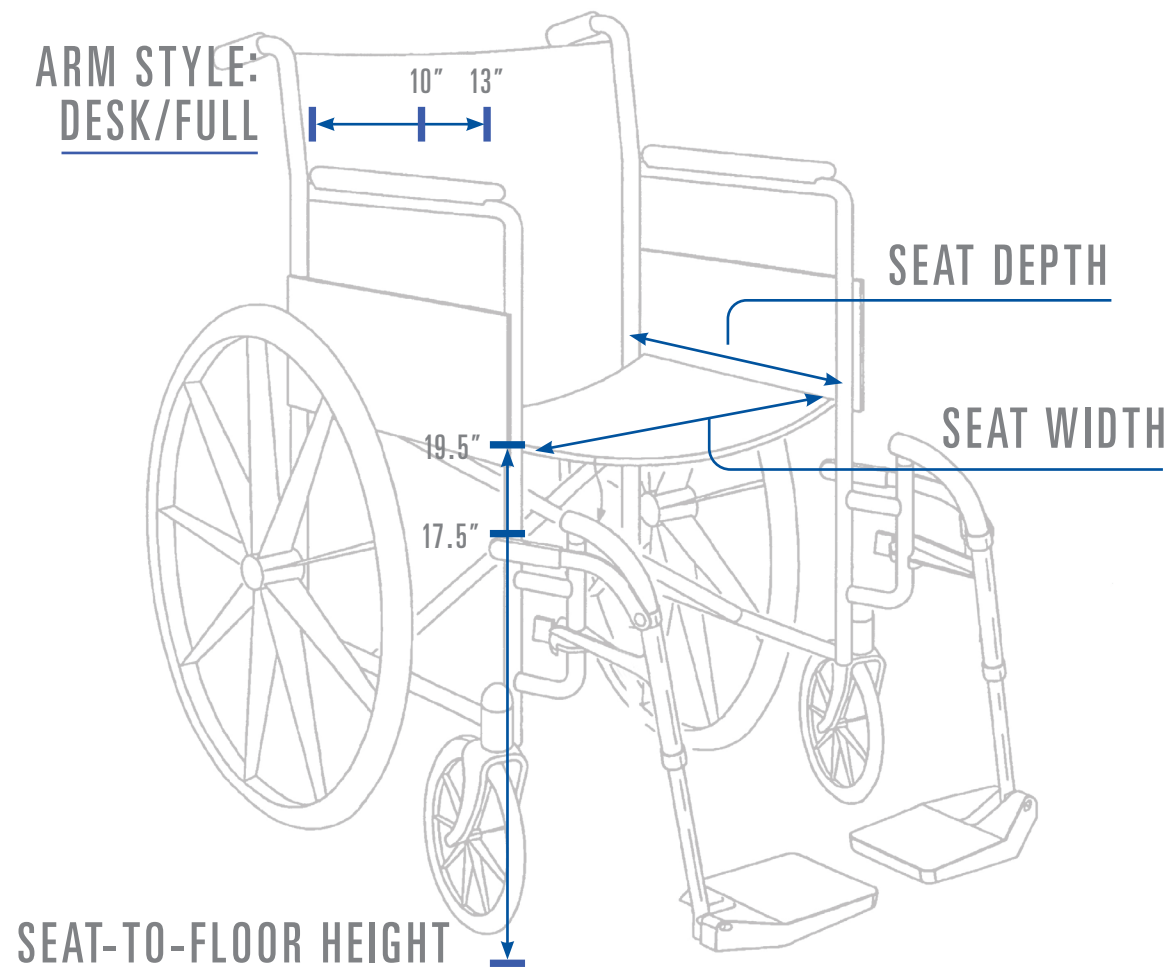
Invacare's stock model wheelchairs help enable DME providers and Long-Term Care providers to build a fleet of quality wheelchairs to meet patient needs.

HOW TO ORDER

Maximize your fleet of wheelchairs without the need to purchase a fully custom wheelchair each time. Many of the stock model wheelchairs feature a dual axle on the rear wheels and front casters to provide seat-to-floor height adjustability from adult seat-to-floor height (19.5") to hemi seat-to-floor height (17.5").

Arm styles feature two lengths, desk and full length. Desk length arms are shorter in length (10"), allowing the user to pull closer to a desk or table. Full length arms are longer in length (13"), allowing the user additional support when transferring.

Options include the ability to select seat width, seat depth, and style of foot rests or elevating leg rests. Front riggings and elevating leg rests are interchangeable for all stock models.



TREX28RP

Tracer EX2

Item#	Description	Weight Capacity	Arm Type	Width	Depth	Upholstery Type & Color	HCPC Code
TREX26RP	Invacare Tracer EX2 Wheelchair with Removable Desk-Length Arms 16" x 16"	250 lbs	Desk Fixed Height	16"	16"	Black Vinyl	K0001/ K0002
TREX26RFP	Invacare Tracer EX2 Wheelchair, Removable Full-Length Arms 16" x 16"	250 lbs	Full Fixed Height	16"	16"	Black Vinyl	K0001/ K0002
TREX28RP	Invacare Tracer EX2 Wheelchair with Removable Desk-Length Arms 18" x 16"	250 lbs	Desk Fixed Height	18"	16"	Black Vinyl	K0001/ K0002
TREX28RFP	Invacare Tracer EX2 Wheelchair, Removable Full-Length Arms 18" x 16"	250 lbs	Full Fixed Height	18"	16"	Black Vinyl	K0001/ K0002
TREX28PP	Invacare Tracer EX2 Wheelchair, Permanent/Non-Removable Full Arms	250 lbs	Full Fixed Height	18"	16"	Black Vinyl	K0001/K0002
TREX20RP	Invacare Tracer EX2 Wheelchair with Removable Desk-Length Arms 20" x 16"	250 lbs	Desk Fixed Height	20"	16"	Black Vinyl	K0001/ K0002
TREX20RFP	Invacare Tracer EX2 Wheelchair, Removable Full-Length Arms 20" x 16"	250 lbs	Full Fixed Height	20"	16"	Black Vinyl	K0001/ K0002
TREX20PP	Invacare Tracer EX2 Wheelchair, Permanent/Non-Removable Full Arms 20" x 16"	250 lbs	Full Fixed Height	20"	16"	Black Vinyl	K0001/K0002

TREX2: Only available in stock model offerings- No Build to Order Option



TRSX58FBP

Tracer SX5

Item#	Description	Weight Capacity	Arm Type	Width	Depth	Upholstery Type & Color	HCPC Code
TRSX56FBP	Invacare Tracer SX5 Wheelchair, Flip-Back Desk-Length Arms 16"x16"	250 lbs	Desk Flip-Back	16"	16"	Black Vinyl	K0003
TRSX58FBP	Invacare Tracer SX5 Wheelchair, Flip-Back Desk-Length Arms 18"x16"	250 lbs	Desk Flip-Back	18"	16"	Black Vinyl	K0003
TRSX58FBFP	Invacare Tracer SX5 Wheelchair, Flip-Back Full-Length Arms 18"x16"	250 lbs	Full Flip-Back	18"	16"	Black Vinyl	K0003/ K0006
TRSX50FBP	Invacare Tracer SX5 Wheelchair, Flip-Back Desk-Length Arms 20"x16"	250 lbs	Desk Flip-Back	20"	16"	Black Vinyl	K0006 + E2201
TRSX50FBFP	Invacare Tracer SX5 Wheelchair, Flip-Back Full-Length Arms 20"x16"	250 lbs	Full Flip-Back	20"	16"	Black Vinyl	K0006 + E2201
TRSX52FBP	Invacare Tracer SX5 Wheelchair, Flip-Back Desk-Length Arms 22"x16"	250 lbs	Desk Flip-Back	22"	16"	Black Vinyl	K0006 + E2201

Tracer SX5: For any options not available in stock offerings- please refer to Builder Options



TRSX5RC8P

Tracer SX5 Recliner

Item#	Description	Weight Capacity	Arm Type	Width	Depth	Upholstery Type & Color	HCPC Code
TRSX5RC6P	Invacare Tracer SX5 Recliner Wheelchair with Flip-Back Desk Length Arm - 16"x16"	250 lbs	Desk Flip Back	16"	16"	Black Vinyl	K0003 + E1226
TRSX5RC8P	Invacare Tracer SX5 Recliner Wheelchair with Flip-Back Desk Length Arm- 18"x16"	250 lbs	Desk Flip Back	18"	16"	Black Vinyl	K0003 + E1226

Tracer SX5 Recliner: For any options not available in stock offerings- please refer to Builder Options

*All references to HCPCS codes: Providers are responsible for determining the appropriate billing codes when submitting claims to the Medicare program, and should consult an attorney or other advisor to discuss specific situations in further detail.



9SL_PTO_34751

9000 SL

Item#	Description	Weight Capacity	Arm Type	Width	Depth	Upholstery Type & Color	HCPCS Code*
9SL_PTO_34745	Invacare 9000 SL Wheelchair, Fixed Height Desk Arms - 16"x16"	250 lbs	Desk Fixed Space Saver	16"	16"	Black Nylon	K0004
9SL_PTO_34749	Invacare 9000 SL Wheelchair, Fixed Height Full Arms - 18"x16"	250 lbs	Full Fixed Space Saver	18"	16"	Black Nylon	K0004
9SL_PTO_34751	Invacare 9000 SL Wheelchair, Fixed Height Desk Arms - 18"x16"	250 lbs	Desk Fixed Space Saver	18"	16"	Black Nylon	K0004
9SL_PTO_34752	Invacare 9000 SL Wheelchair, Adjustable Height Space-Saver Desk Arms - 18"x16"	250 lbs	Desk Adjustable Height Space Saver	18"	16"	Black Nylon	K0004 + E0973
9SL_PTO_47874	Invacare 9000 SL Wheelchair, Fixed Height Desk Arms - 20"x16"	250 lbs	Desk Fixed Space Saver	20"	16"	Black Nylon	K0004 + E2201

9000SL: For any options not available in stock offerings- please refer to Builder Options



9XT_PTO_29153

9000 XT

Item#	Description	Weight Capacity	Arm Type	Width	Depth	Upholstery Type & Color	HCPCS Code*
9XT_PTO_29154	Invacare 9000 XT Wheelchair, Desk Arm - 16"x16"	250 lbs	Desk Fixed Space Saver	16"	16"	Black Nylon	K0004
9XT_PTO_29153	Invacare 9000 XT Wheelchair, Desk Arm - 18"x16"	250 lbs	Desk Fixed Space Saver	18"	16"	Black Nylon	K0004
9XT_PTO_29155	Invacare 9000 XT Wheelchair, Full Arm - 18"x16"	250 lbs	Full Fixed Space Saver	18"	16"	Black Nylon	K0004
9XT_PTO_33131	Invacare 9000 XT Wheelchair, Desk Arm - 20"x16"	250 lbs	Desk Fixed Space Saver	20"	16"	Black Nylon	K0004 + E2201

9000 XT: For any options not available in stock offerings- Refer to Builder Options



T420RFAP

Tracer IV

Item#	Description	Weight Capacity	Arm Type	Width	Depth	Upholstery Type & Color	HCPCS Code*
T420RDAP	Invacare Tracer IV Wheelchair with Desk-Length Arms, 20"x18"	350 lbs	Desk Fixed Height	20"	18"	Black Vinyl	K0007 + E2201
T420RFAP	Invacare Tracer IV Wheelchair with Full-Length Arms, 20"x18"	350 lbs	Full Fixed Height	20"	18"	Black Vinyl	K0007 + E2201
T422RDAP	Invacare Tracer IV Wheelchair with Desk-Length Arms, 22"x18"	350 lbs	Desk Fixed Height	22"	18"	Black Vinyl	K0007 + E2201
T422RFAP	Invacare Tracer IV Wheelchair with Full-Length Arms, 22"x18"	350 lbs	Full Fixed Height	22"	18"	Black Vinyl	K0007 + E2201
T424RDAP	Invacare Tracer IV Wheelchair with Desk-Length Arms, 24"x18"	350 lbs	Desk Fixed Height	24"	18"	Black Vinyl	K0007 + E2202
T424RFAP	Invacare Tracer IV Wheelchair with Full-Length Arms, 24"x18"	350 lbs	Full Fixed Height	24"	18"	Black Vinyl	K0007 + E2202
T4X22RDAP	Invacare Tracer IV Heavy-Duty Wheelchair, Desk-Length Arms, 22"x18"	450 lbs	Desk Fixed Height	22"	18"	Black Vinyl	K0007 + E2202
T4X24RDAP	Invacare Tracer IV Wheelchair with Desk-Length Arms, 24"x18"	450 lbs	Desk Fixed Height	24"	18"	Black Vinyl	K0007 + E2202

Tracer IV: For any options not available in stock offerings- please refer to Builder Options

*All references to HCPCS codes: Providers are responsible for determining the appropriate billing codes when submitting claims to the Medicare program, and should consult an attorney or other advisor to discuss specific situations in further detail.



9TPZ

Builder Only

Item#	Description	Weight Capacity	Arm Type	Width	Depth	Upholstery Type	HCPCS Code*
9JYLT	Invacare 9000 Jymni™ Pediatric Wheelchairs (Pediatric or Small Statured Users)	125 lbs	Desk/Full	10"-16"	10"-14"	Nylon or Vinyl	E1236
9XDT	Invacare 9000 XDT Wheelchair (Tall Seat-to-floor Heights up to 21.5")	350 lbs	Desk/Full	16"-22"	16"-20"	Nylon or Vinyl	K0007
9RC	Invacare 9000 XT Recliner Wheelchair (Reclining Wheelchair)	250 lbs	Desk/Full	14"-22"	16"-18"	Nylon or Vinyl	K0004 + E1226
9TPZ	Invacare 9000 Topaz™ Wheelchair (Bariatric weight capacities and widths)	700-1000 lbs	Desk/Full	20"-30"	18"-20"	Nylon or Vinyl	K0007



T93HEP

Front Riggings

Item#	Description	HCPCS Code*
T93HAP	Hemi Footrests w/ Aluminum Footplates & Heel Loops	E0951
T93HCP	Hemi Footrests w/ Composite Footplates & Heel Loops	E0951
T93HEP	Hemi Footrests w/out Heel Loops, Composite Footplate	N/A
T94HAP	Hemi Elevating Legrests w/ Aluminum Footplates & Padded Calf Pads	K0195
T94HCP	Hemi Elevating Legrests w/ Composite Footplates & Padded Calf Pads	K0195
T94HEP	Hemi Elevating Legrests w/ Non-Padded Calf Pads & Composite Footplate	N/A
AHL4A	Hemi Smartleg® Articulating Legrests w/ Aluminum Footplates & Padded Calf Pads	K0053
AHL4C	Hemi Smartleg® Articulating Legrests w/ Composite Footplates & Padded Calf Pads	K0053



*All references to HCPCS codes: Providers are responsible for determining the appropriate billing codes when submitting claims to the Medicare program, and should consult an attorney or other advisor to discuss specific situations in further detail.

INVACARE® STOCK WHEELCHAIRS



Wheelchair	Invacare® Tracer® EX2 Wheelchair	Invacare® Tracer® SX5 Wheelchair	Invacare® Tracer® SX5 Reclining Wheelchair	Invacare® 9000 SL Wheelchair	Invacare® 9000 XT Wheelchair	Invacare® 9000 XT Reclining Wheelchair	Invacare® Tracer® IV Wheelchair	Invacare® 9000 XDT Wheelchair	Invacare® Jymni™ Wheelchair	Invacare® 9000 Topaz™ Wheelchair
HCPCS Codes	K0001/K0002	K0003/K0006	K0003/K0006 + E1226	K0004	K0004	K0004/E1226	K0007	K0007	E1236	K0007
Seat Width	16", 18", 20"	14", 16", 18", 20", 22"	14", 16", 18", 20", 22"	16", 18", 20"	14", 15", 16", 17, 18", 19", 20", 22"	14", 16", 18", 20", 22"	18", 20", 22", 24"	16", 17", 18", 19", 20", 22"	10", 12", 14", 16"	20", 22", 24", 26", 28", 30"
Seat Depth	16"	16" (2" seat ext available)	16", 18"	16", 18"	16", 17", 18"	16", 17", 18"	18", 20"	16", 17", 18", 19", 20"	10", 12", 14"	18", 20"
Back Height	16"	16", 18"	23" (34" with headrest)	15"-19"	15"-19"	23" (34" with headrest)	16"	15"-19"	14"-15"	16", 17", 18"
Seat-to-Floor Height	17.5", 19.5"	17.5", 19.5"	17.5", 18.5", 19.5"	15.5", 16.5", 17.5", 18.5", 19.5"	13.5", 14.5", 15.5", 16.5", 17.5", 18.5", 19.5"	17.5", 18.5", 19.5"	17.5", 19.5"	17.5", 19.5", 21.5"	15", 16", 17"	15.5", 17.5", 19.5"
Overall Width	23.5,-28.5	22.5"-30.5"	22.5"-30.5"	23", 25"	21"-23", 25", 27", 29"	23", 25", 27", 28", 29", 31"	29"	23", 25", 27", 29"	18", 23"	28.5", 30.5", 32.5", 34.5", 36.5", 38.5"
Folded Width	13"	13"	13"	15"	12"	12"	13"	13"	14"	16"
Overall Depth w/out Riggings	32"	30.25"	32"	30"	28"	28"	30"	29"	30"	30"
Weight w/out Riggings	36 lbs	33.75 lbs	53 lbs	33.5 lbs	31 lbs	50.5 lbs	42 lbs	36.5 lbs	31 lbs	85 lbs
Weight Capacity	250 lbs	250 lbs (Seat Width 14"-18") 300 lbs (Seat Width 20"-22")	250 lbs (Seat Width 14"-18") 300 lbs (Seat Width 20"-22")	250 lbs	250 lbs	250 lbs	350lb., 450lb. Available	350 lbs	125 lbs	700 lbs, 1000 lbs
Limited Warranty	Limited Warranty - 5 Years	Limited Warranty - 5 Years	Limited Warranty - 5 Years	Limited Warranty - 5 Years	Limited Warranty - 5 Years	Limited Warranty - 5 Years	Limited Warranty - 5 Years	Limited Warranty - 5 Years	Limited Warranty - 5 Years-	Limited Warranty - 3 Years
Caster Height	8"	6", 8"	8"	6", 8"	6", 8"	8"	8"	8"	6"	6", 8"
Wheel Height	24"	20", 22", 24"	20", 22", 24"	20", 22", 24"	20", 22", 24"	20", 22", 24"	24"	24"	20", 22"	20", 24"
Box Weight	43 lbs	43.5 pounds	61 lbs	43lbs	41.5 lbs	60.5 lbs	53 lbs	46.5 lbs	35 lbs	97 lbs
Box Dimensions (Lx-WxH)	32" x 13" x 38"	32" x 13" x 37"	32" x 13" x 37"	32" x 13" x 37"	32" x 13" x 37"	32" x 13" x 37"	32" x 13" x 37"	34"x 13"x 39"	32" x 14" x 38"	35" x 15" x 46.5"
Stock or Configured	Stock Only	Stock & Builder	Stock & Builder	Stock & Builder	Stock & Builder	Builder Only	Stock & Builder	Builder Only	Builder Only	Builder Only

*All references to HCPCS codes: Providers are responsible for determining the appropriate billing codes when submitting claims to the Medicare program, and should consult an attorney or other advisor to discuss specific situations in further detail.

For more information



**Contact
Invacare Customer Service
at 800-333-6900**



Invacare Corporation
www.invacare.com

USA

One Invacare Way
Elyria, Ohio
44035-4190
(800) 333-6900

Canada

570 Matheson Blvd. E.,
Unit 8
Mississauga, Ontario
L4Z 4G4 Canada
(800) 668-5324

©2021

Invacare Corporation.
All rights reserved.
Trademarks are identified
by the symbols TM and
©. All trademarks are
owned by or licensed
to Invacare Corporation
unless otherwise noted.
Specifications are subject
to change without
notification.

Form No. 19-089 rev 1/22
220101



Yes, you can.®