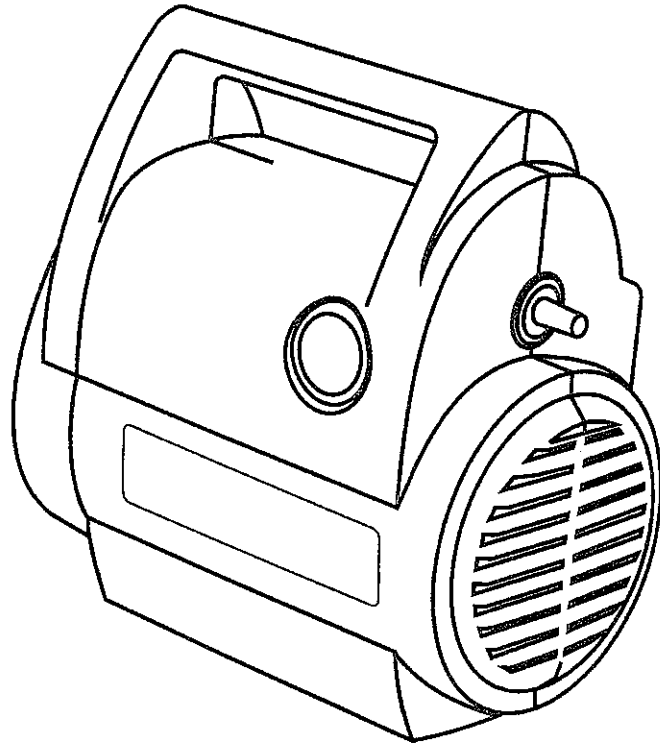


**MEDICAL INDUSTRIES AMERICA INC.**

**"SportNeb" Nebulizer Compressor**

Model 3050 (all types)



**Made in U.S.A.**

**CAUTION – USA Federal law restricts this device to sale by or on the order of a physician.**

FORM No. 1014CE

02/28/02

# Table of Contents

Specifications and Introduction..... 2

Introduction and IEC Glossary ..... 3

Important Parts of the "SportNeb" ..... 4

Operating Instructions..... 5

Compressor Cleaning ..... 6

Nebulizer Cleaning..... 7

Maintenance and Filter Change..... 8

Fuse Change ..... 9

Safety Card..... 10

Declaration of Conformity..... 11

# Specifications

Size.....	19cm x 11.5cm x 19cm
Weight.....	3.75 lbs.(1.7kg)110V 4.30 lbs.(1.9kg)220V
Electrical requirements for 120V models..	120VAC 60Hz 1.8A
Electrical requirements for 230V models..	230VAC 50/60Hz 1.1/0.82A
Fuse.....	3.15A 5x20mm fuse
Models 3050-230CE .....	
Operating temperature.....	Ambient conditions min. 10°C to max. 40°C
Storage conditions .....	Room temp. preferred

# Introduction

Your physician has prescribed a liquid medication to treat your respiratory condition. In order to ensure a high quality aerosol nebulization he/she has prescribed the SportNeb from Medical Industries America Inc. SportNeb uses compressed air to turn your liquid medication into an aerosol mist that penetrates your lungs.

To maximize your benefit from the SportNeb system we recommend you read and understand the information in this instruction guide. By following your doctor's advice and these simple instructions, your SportNeb system will become a valuable part of your daily treatment routine.

# IEC Classification/Glossary

Equipment Classification with respect to protection from electric shock: **Class II**

Degree of protection from electric shock: **Type BF**

Degree of protection against ingress of liquids: **ordinary**

Equipment not suitable for use in the presence of flammable anaesthetic mixture with air or with nitrous oxide.

Mode of operation: **Continuous**



Alternating current



Attention, consult accompanying documents

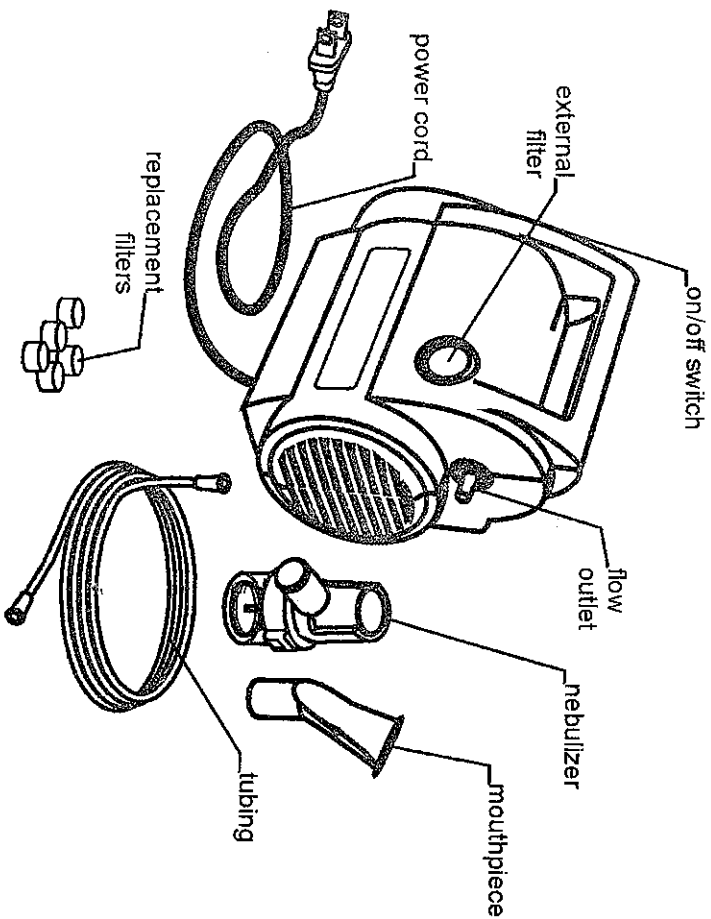


Class II equipment



Type BF equipment

## Important parts of your SportNeb system



## Operating Instructions

**Note:** Before initial operation, please clean the disposable nebulizer by following the cleaning instructions on page 7. Always wash your hands before you begin the treatment procedure.

- 1) Place the SportNeb on a level, sturdy surface so the controls of the unit can be easily reached when you are seated.
- 2) Pull out the power cord from the recess in the base of the unit.
- 3) Make sure the on/off (1/0) switch is in the "off" (0) position. Plug cord into the power source.
- 4) Unpack the disposable nebulizer and connect one end of the tubing to the flow outlet.
- 5) Assemble the clean disposable nebulizer by following the instructions packed with the nebulizer.
- 6) Add prescribed liquid medication to the top of the nebulizer using an eye dropper, pre-measured unit dose or ampoule.
- 7) Insert mouthpiece into nebulizer.
- 8) Connect tubing to inlet on the bottom of the nebulizer.
- 9) Press the on/off (1/0) switch to the "on" (1) position to start the SportNeb compressor.
- 10) Begin treatment by placing nebulizer mouthpiece between the teeth. Close mouth. Inhale deeply and slowly as aerosol begins to flow, then exhale slowly.
- 11) If an aerosol mask is being used, position the mask over the nose and mouth. Inhale deeply and slowly through the mouth as aerosol begins to flow. Exhale slowly.

**Note:** In high humidity conditions, water build up can occur in the SportNeb tubing. If this occurs, simply turn on the compressor and run it for 2-3 minutes before connecting tubing to the flow outlet.

**Note:** Cold temperatures may result in poor compressor performance. Bring machine up to room temperature for best results.

**Warning:** To avoid the risk of possible electrical shock, SportNeb must be operated on the specified power source.

## Compressor Cleaning

**Caution:** Never submerge the SportNeb compressor in water, hold under running water or spray with water or other liquids. This will result in compressor damage.

- 1) Make sure the on/off (1/0) switch is in the "off" (0) position.
- 2) Unplug the compressor from the wall outlet.
- 3) Wipe the compressor with a clean, damp cloth every 2-3 days. This will keep the unit dirt and dust free.

## Nebulizer Cleaning

- 1) Please refer to the instruction sheet supplied with your disposable nebulizer.
- 2) Make sure the on/off (1/0) switch of the compressor is in the "off" (0) position.
- 3) Unplug the cord from wall outlet.
- 4) Disconnect tubing from the flow outlet on the compressor. Disconnect the tubing from the nebulizer. Set the tubing aside.
- 5) Remove the nebulizer cap by turning counterclockwise.
- 6) Remove nebulizer baffle by grasping and pulling from the chamber.
- 7) After every use rinse with hot tap water.
- 8) Soak nebulizer daily in 3 parts hot water to 1 part white vinegar for 30 minutes.
- 9) Rinse under hot tap water and air dry.

**Note:** The disposable nebulizer is designed for single patient use.

**Warning:** To prevent possible risk of infection due to contamination, clean the nebulizer after each aerosol treatment, always use a fresh cleaning solution and do not towel dry the nebulizer components after cleaning.

## Maintenance

All maintenance on your SportNeb system must be performed by an authorized Medical Industries America Inc. service center.

**Note:** Maintenance manual and technical information with part lists is available through Medical Industries America Inc. upon request.

**Warning:** Do not remove the compressor case/cabinet. Failure to comply could result in electrical shock. All disassembly must be performed by an authorized Medical Industries America Inc. service center.

## Filter Change

Your SportNeb compressor comes with a packet of extra inlet filters. Please contact your local dealer to obtain additional filters.

- 1) Check your external filter (refer to page 4) at least once per month. The filter should be changed when it begins to turn brown or gray in color.
- 2) Remove the filter cap by grasping cap and pulling straight out.
- 3) Remove dirty filter and discard.
- 4) Replace with a new filter.
- 5) Replace cap and push into position.

## Fuse Change

**Note:** This section applies only for models equipped with fuse on the side of the unit.

Fuse holder is located directly under compressor flow outlet. In case where unit is not turning on, even when plugged to correct outlet and switch is set to "on" (1) position, fuse should be checked and replaced if necessary. Follow these steps:

- 1) Unplug device from outlet
- 2) Using small flat screw driver twist the fuse holder cap counterclockwise and pull out.
- 3) Check the fuse by observing if metal wire through the glass part of the fuse is broken or in tact – see below.
- 4) Replace if necessary.

